

YOUR TURN

QUESTION: I need the 3737980 switch assy that mounts on the emergency brake assy. Mine is missing on my '58.

ANSWER: '55-'57 car uses the same switch assy and part number, and the 3737979 flasher assy and 516568 clip. Fig. 1

QUESTION: I see so many vettes with different length wiper blades. What is right?

ANSWER: 12 inch wiper blades are correct using rubber protector ends in case the rubber blade is torn or falls off. They keep the metal from scratching the window glass. The rubber was not replaceable as todays, but they are very hard to come by now.

QUESTION: Does anyone reproduce the 1998109 switch assy with the brown button for the courtesy lights for Corvette?

ANSWER: Not that I know of. If you really need one or more, that is correct in appearance, go back to the early '50's Chevy. The Chevy switch has only one prong but if you solder a clip to the housing for ground or pry up the ground tongue - you've got it. Fig. 3

QUESTION: My '61 needs the 3752818 Co-ordinator to finish the windshield washer system. Trying to locate one for my Corvette has been frustrating. Can you help?

ANSWER: Again, I say check out the Chevy people next time your at a swap meet. I know that 1956 Chevy has the same and maybe other years too. Because it was an option on Chevy, that means there are many Trico installation kits out there. '56 is AWK-17-3. I buy them for around \$15 to \$20 new. Fig. 2

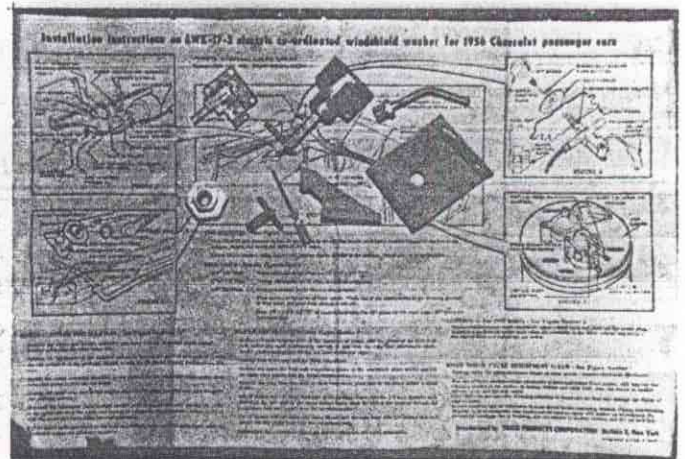
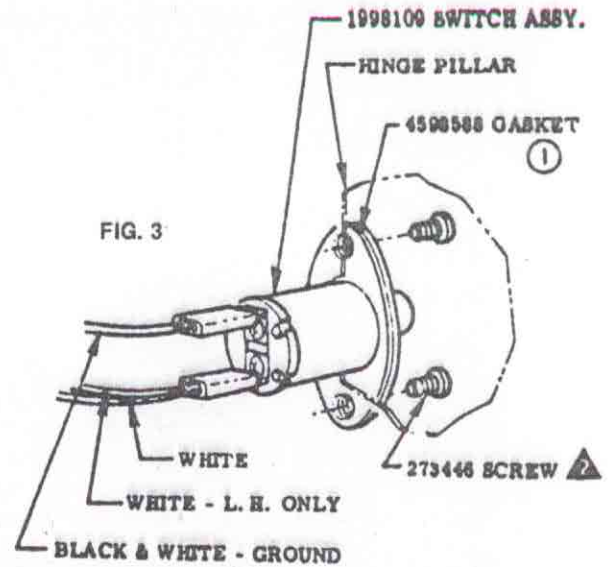


FIG. 1

