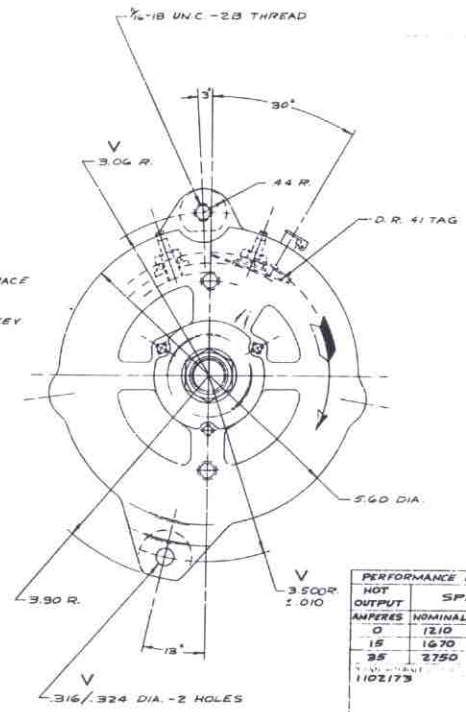
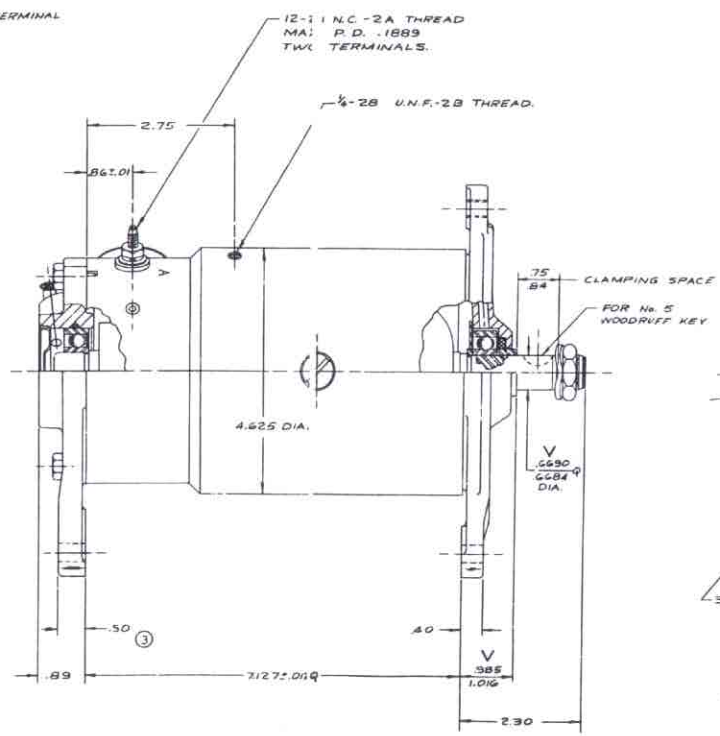
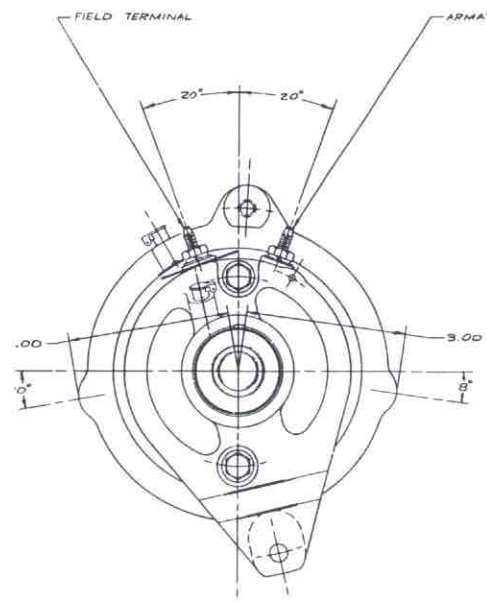


1102268
 SHOWN



LUBRICATE BEARINGS WITH SAE #20 OIL OR EQUIVALENT AFTER ASSEMBLY IN ENGINE.
 SEE LA-1764 FOR FN AND PULLEY MOUNTING DIMENSIONS.
 TIGHTEN PULLEY NU TO 80-60 LB. FT. TORQUE.
 ALLOWABLE VARIATION OF DIMENSIONS ±.03 UNLESS OTHERWISE SPECIFIED.

12 VOLT
 CURVE C-1872-B

1102268

APPROX. NET WEIGHT 23.0 LBS.

PERFORMANCE DATA			
HOT OUTPUT AMPERES	SPEED		
	NOMINAL	MAXIMUM	
0	1270	1270	D.L.
15	1670	1760	
25	2750	3030	14.15

Q 7-2240 (95% CONFORMITY)
 T-1872-A TEST SPEC.
 ②

12-1948 FULL P.F. 12-19-55
 X-3130 GEN. 12-19-55
 1102268 12-19-55
 ①

GENERATOR OUTLINE
 1102268

(see page 7)