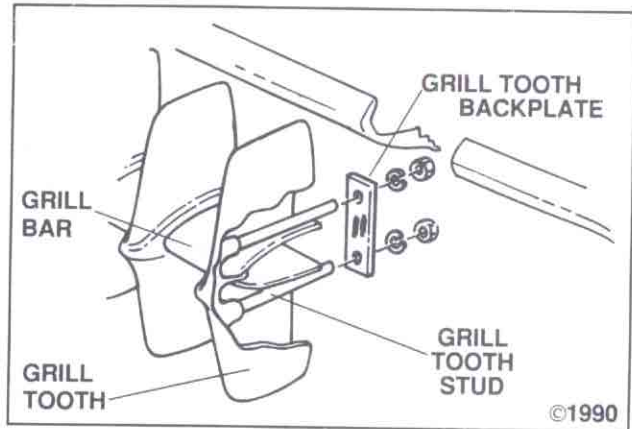


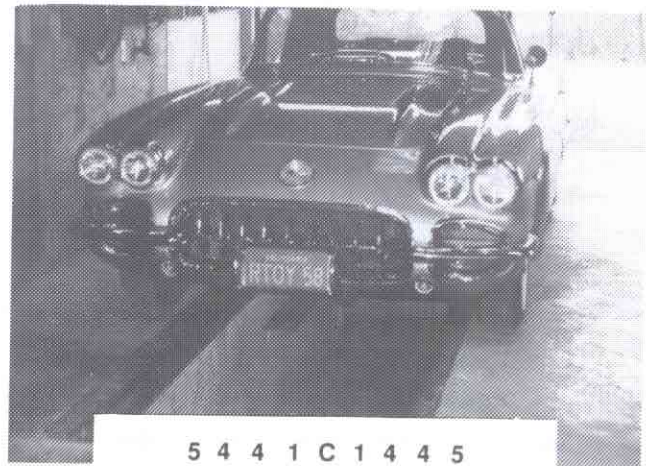
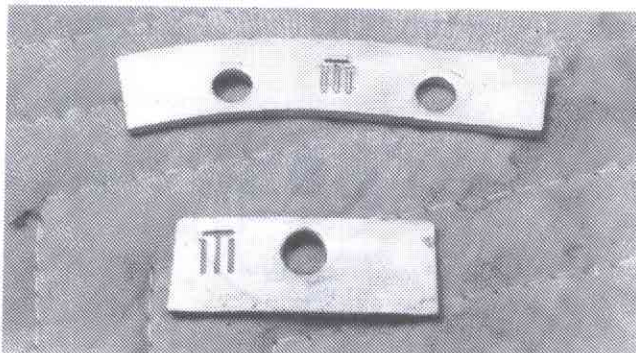
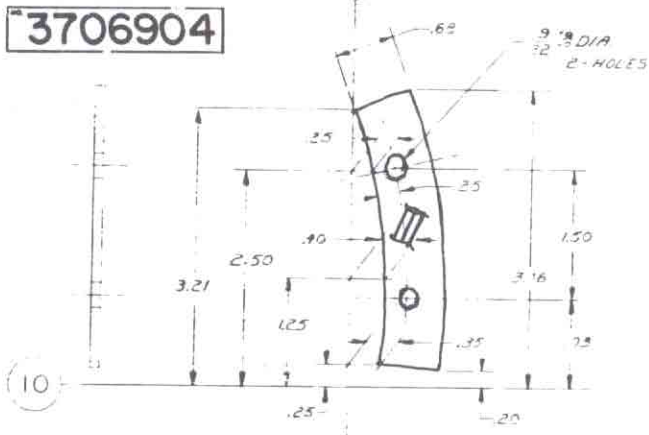
GRILL TOOTH & GRILL SHELL BACKPLATE

I would like to discuss grill fit! First I will consider that the body has not been damaged, and that the front area where the grill fits is O.K. #1. The backplate that holds the tooth on to the center bar has a mark or logo stamped into it having two lines, see drawing. These were original first design parts used on assembly #2. The four brackets or bars that hold the grill bar and teeth were black enamel and were slotted at each end so that you could expand the shell to help fit it on the body #3. Once you install the grill assembly, the backplates that hold it to the body were also stamped with the same logo as the tooth plates, #4 but the most common area that is lacking is the round area at each end of the grill where fit is usually poor. The drawing showing part #3706904 is what is usually missing if the grill has been taken out in the past and lost. It also will have a logo the same as the others. Owners may not know that this part is missing or haven't seen one before, they may try to install something different to bring the body to the grill and that is O.K., but if you haven't or are in need of the right part, then use the drawing to make one and install one. As far as logos go, this may not concern you, but I thought I would just let you know of this. Also, the repro tooth studs are about an inch too long from the original length, but if you simply cut them to where they protrude about 1/4 inch they will look not so obvious to others.



1953-1957 Grill (13 teeth)

3706904



1958-1960 Grill (9 teeth)