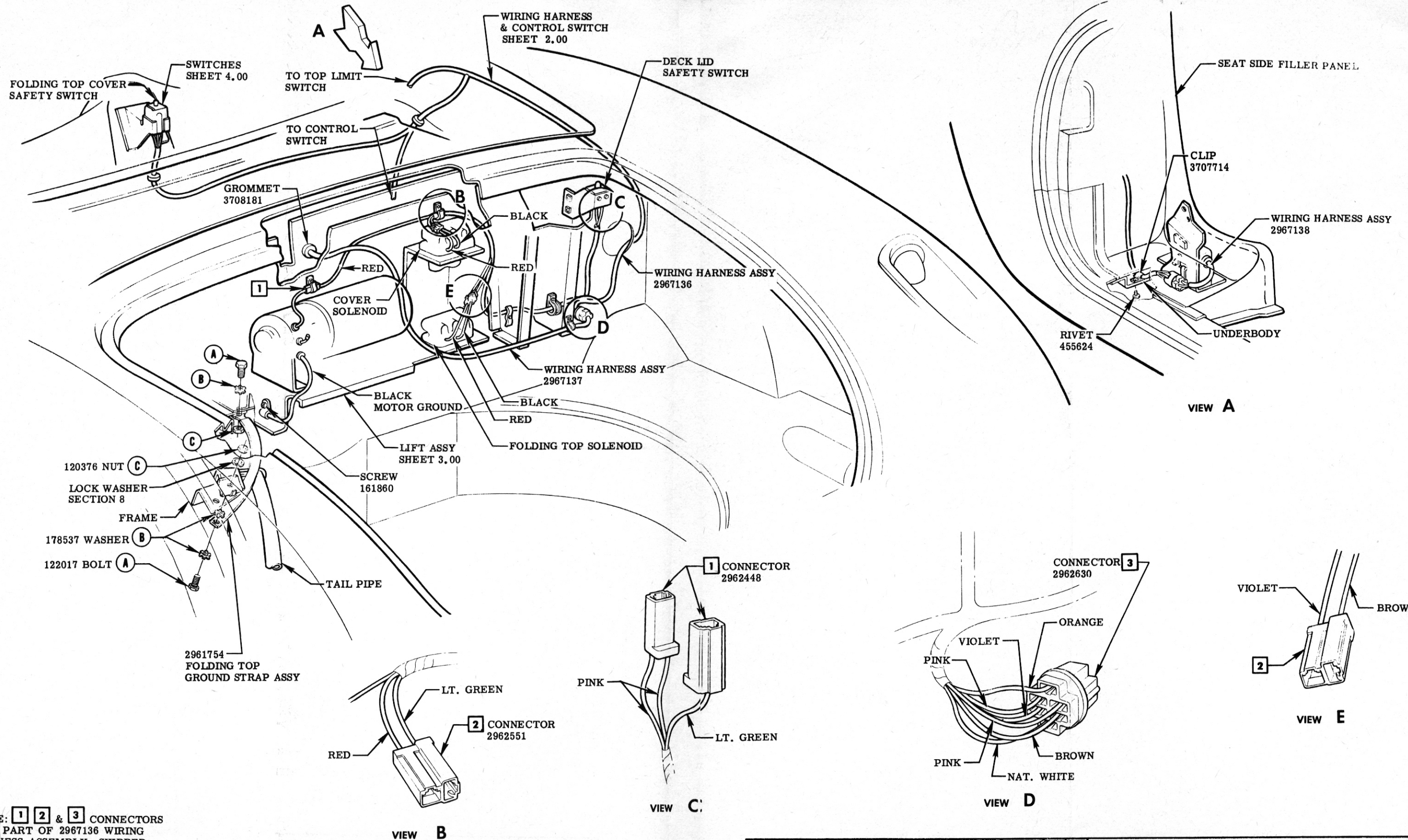


way

473 AUTOMATIC TOP

THE HISTORY OF THE
CITY OF BOSTON

1780

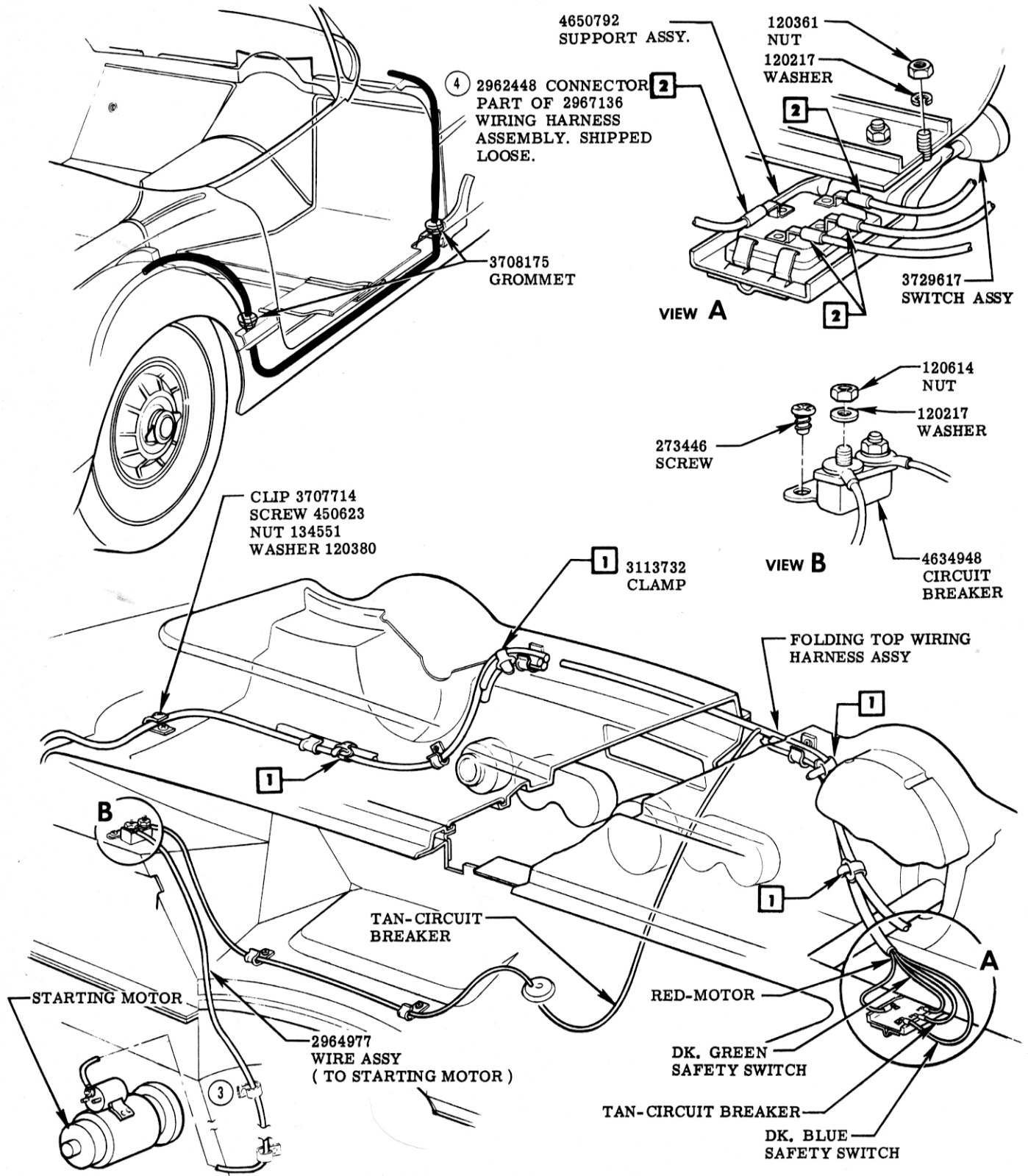


NOTE: ① ② & ③ CONNECTORS ARE PART OF 2967136 WIRING HARNESS ASSEMBLY. SHIPPED LOOSE.

FOLDING TOP WIRING DIAGRAM SHEET 5.00

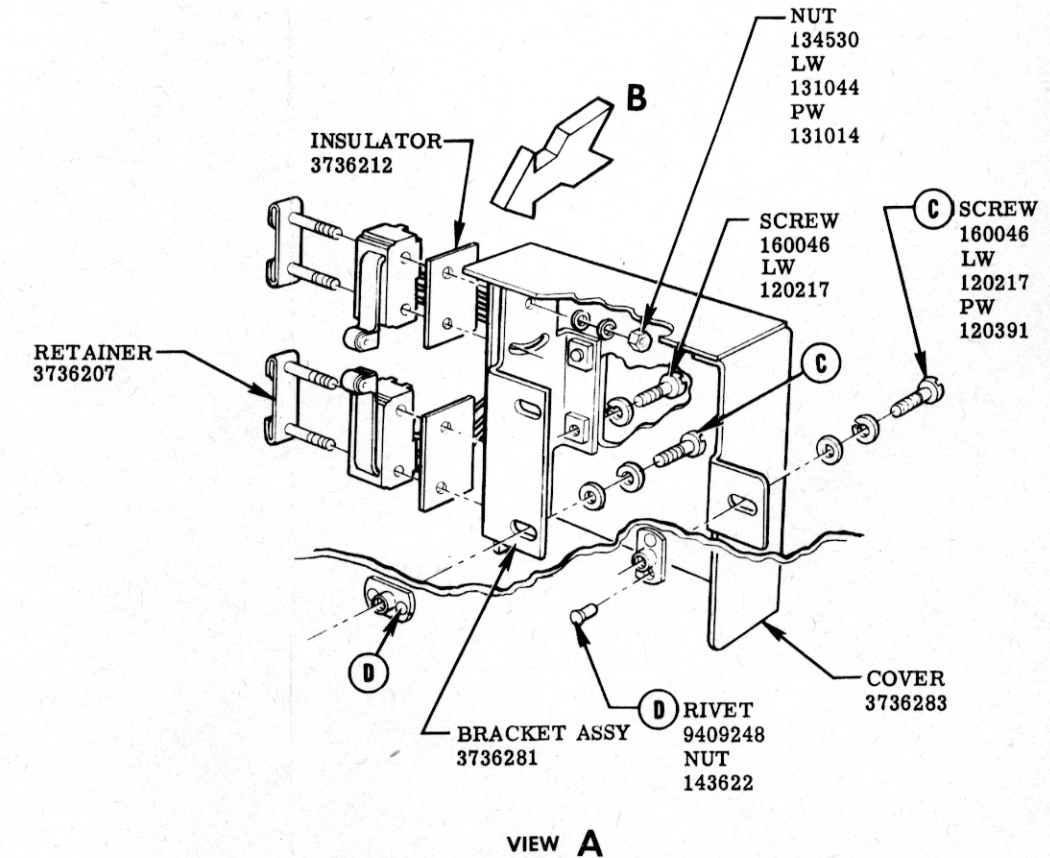
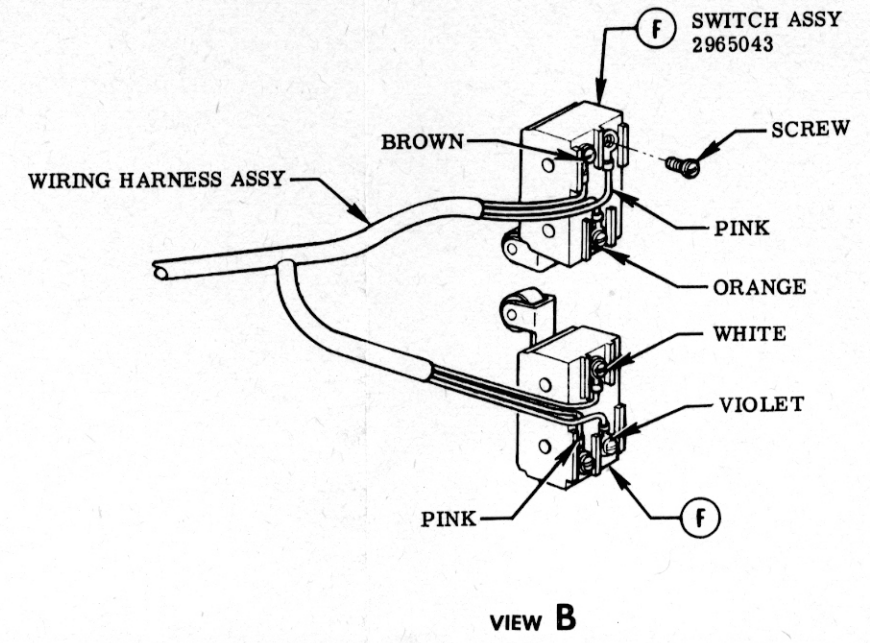
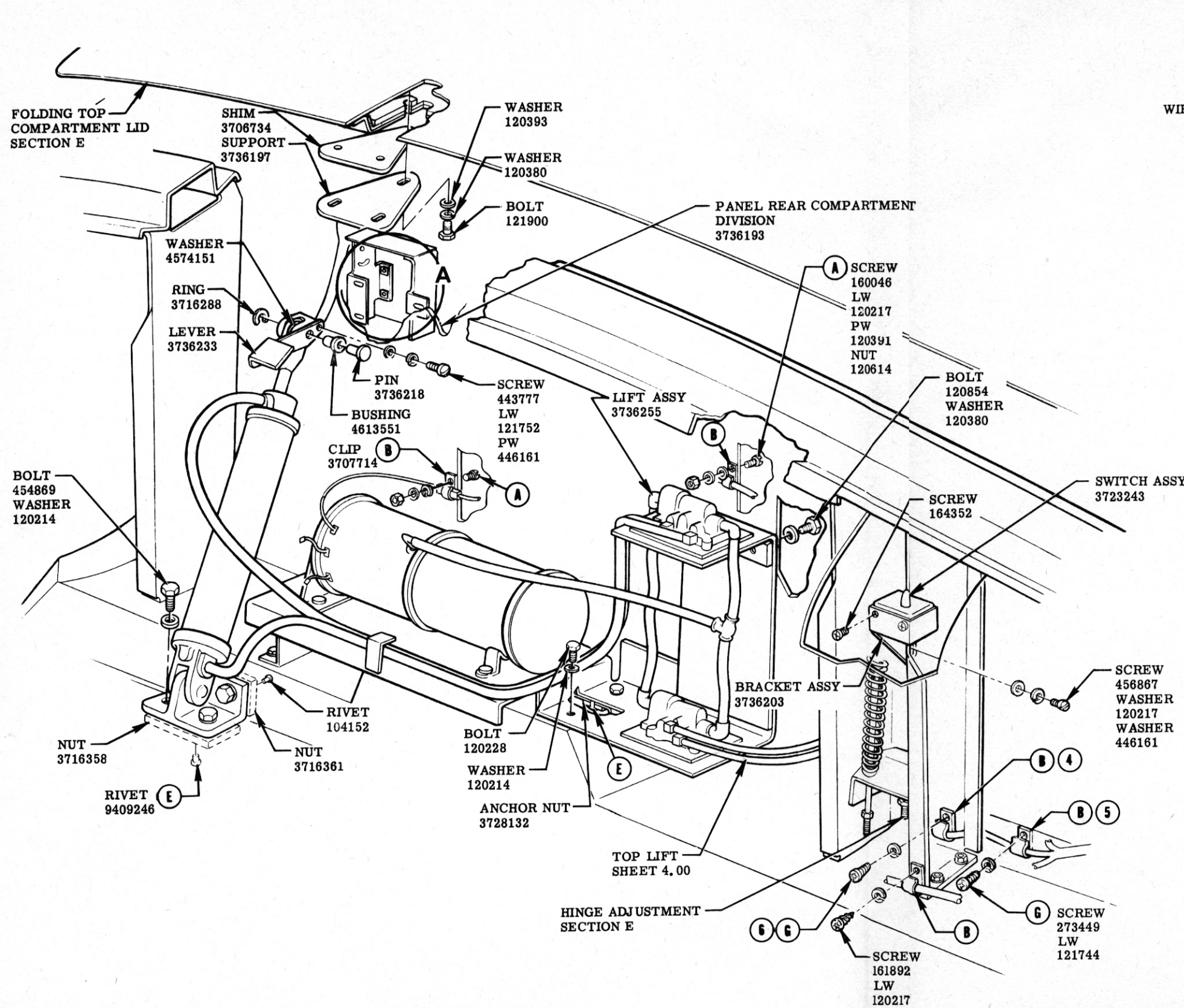
HYDRAULIC FOLDING TOP

CORVETTE INSTRUCTION MANUAL											
DATE	SYM.	REVISION RECORD	AUTH.	DR.	CK.	REF.	NAME	DRAWN	CHECKED	R. P. O.	SHEET
4-22-57	3	PART NO'S. & NOTE ADDED	7938	V	F	9705					
7-31-56	2	REDRAWN & REV. FOR 57 1570	1541	V	F	7997					
						DATE	6-4-56	PART No.	3726900	473	1.00



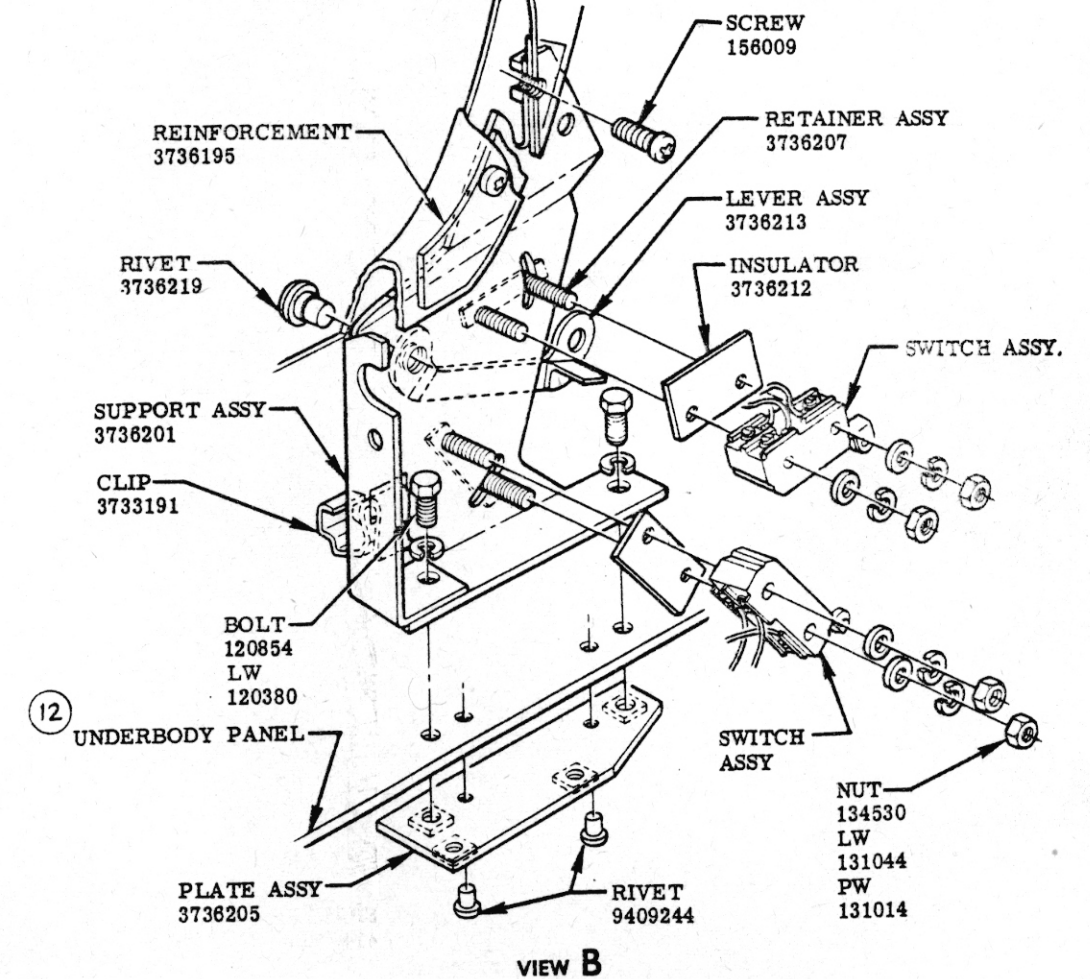
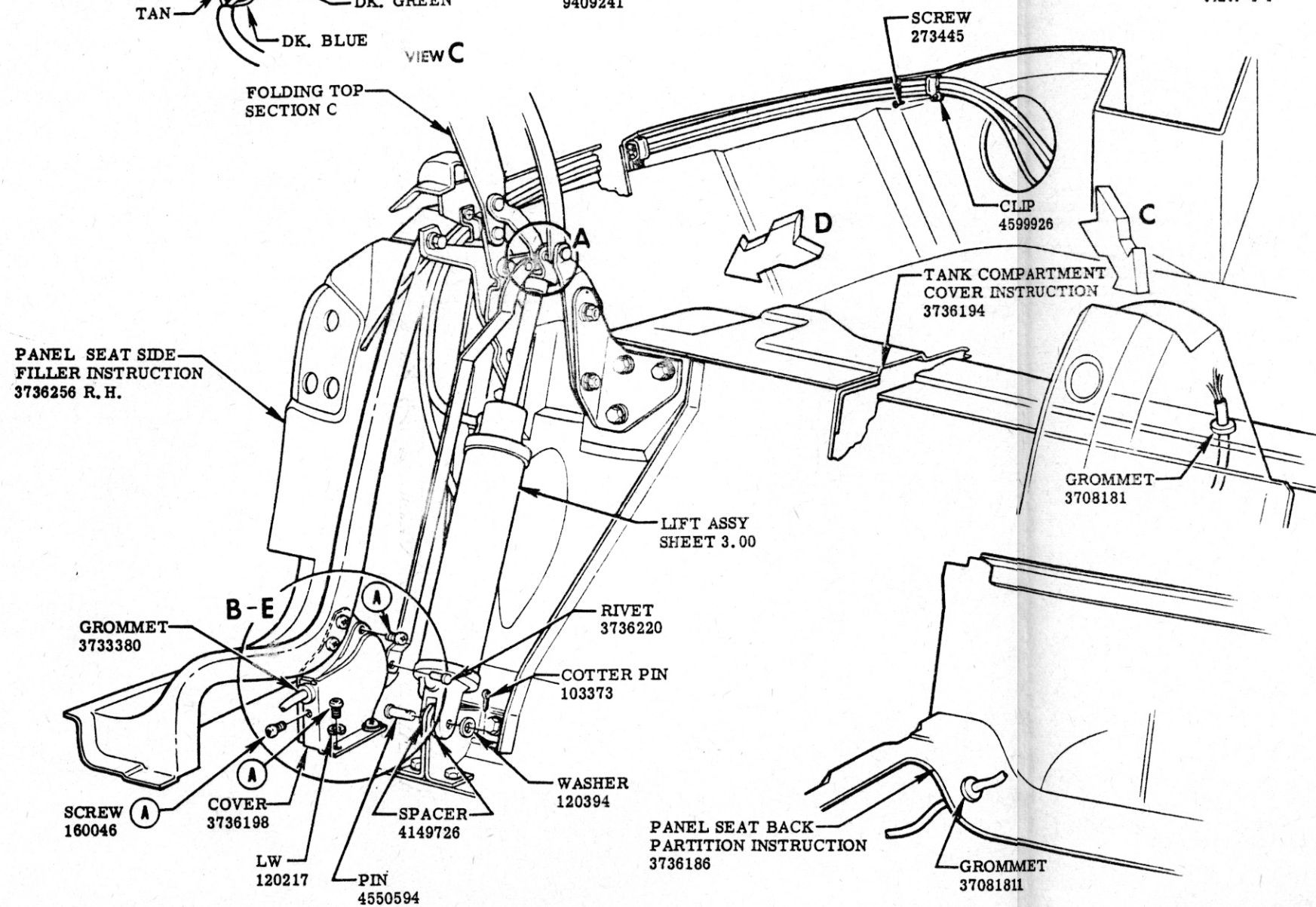
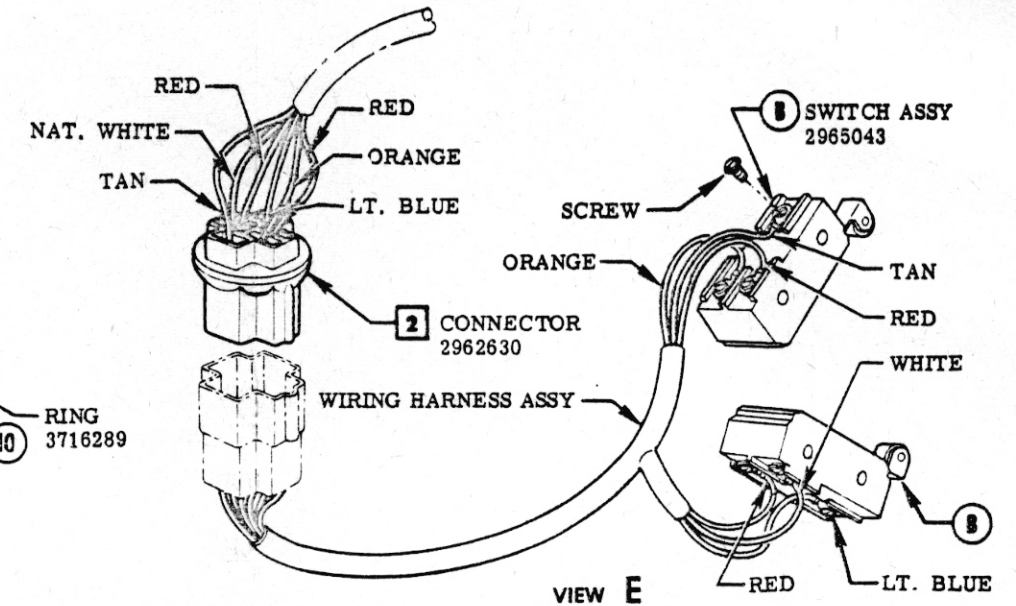
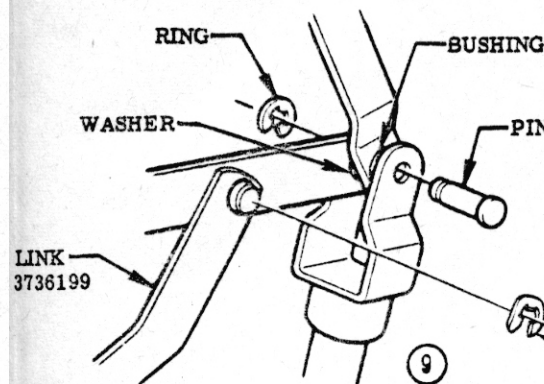
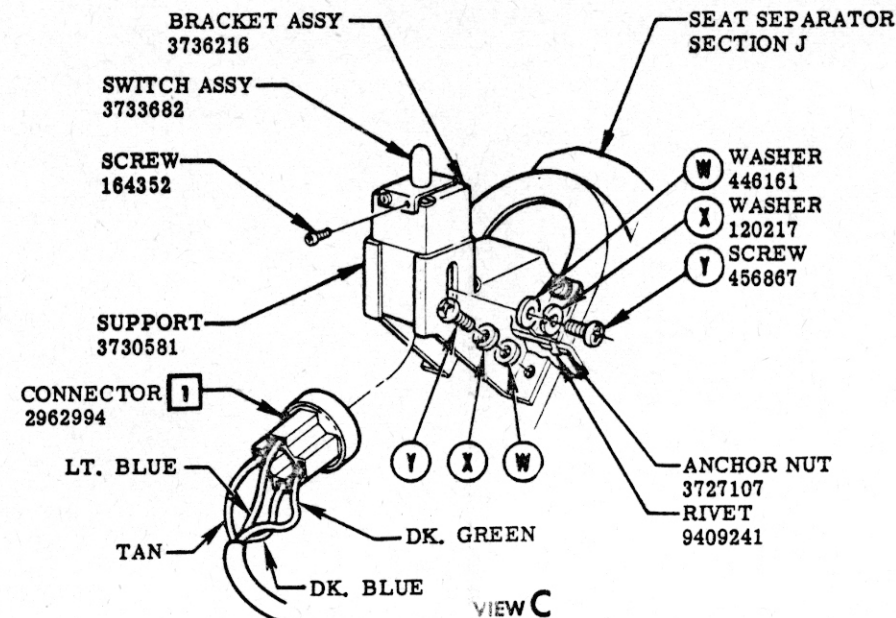
WIRING HARNESS & CONTROL SWITCH

				NAME				CORVETTE INSTRUCTION MANUAL			
4-22-57	4	PART NO. & NOTE ADDED	7938	V	F	REF.	DRAWN	CHECKED	R. P. O.	SHEET	
3-15-57	3	WIRE REROUTED	325	V	F	9705	V	F	473 2.00		
7-31-56	2	REDRAWN & REVISED FOR 57	1541	V	F	DATE	PART No.				
DATE	SYM.	REVISION RECORD	AUTH.	DR.	CK.	6-4-56	3726900				



LIFT ASSY.

REVISION RECORD					CORVETTE INSTRUCTION MANUAL						
DATE	SYM.	REVISION RECORD	AUTH.	DR.	CK.	NAME	REF.	DRAWN	CHECKED	R. P. O.	SHEET
	6	SCREW WAS 163257				F					
	5	WAS 120529					9705	V	F		
	4	WAS 3721558					7997				
7-25-57	3	REDRAWN	2128	V							
						DATE	6-4-56	PART No.	3726900	473	3.00

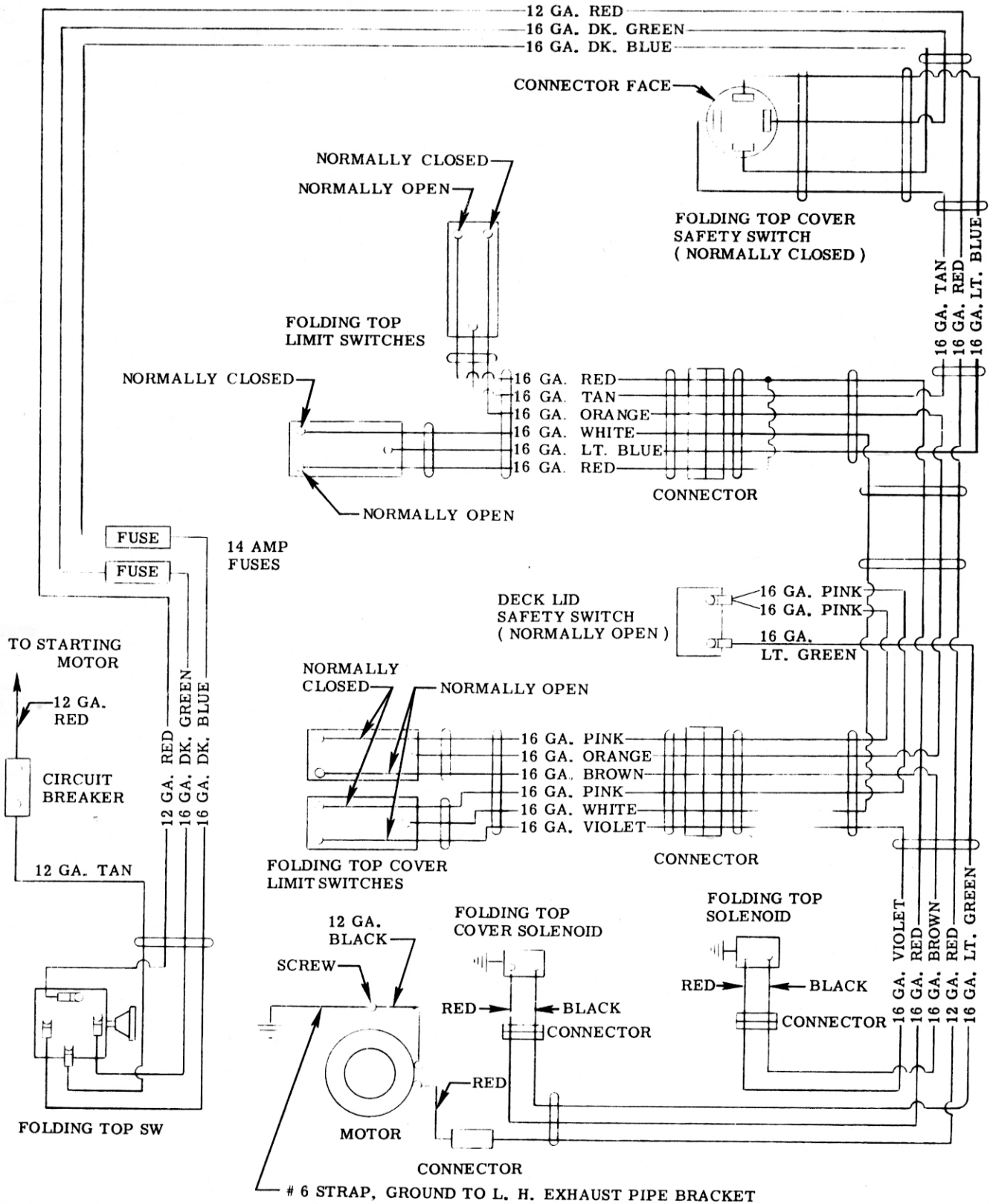


NOTE: 1 & 2 CONNECTORS ARE PART OF 2967136 WIRING HARNESS ASSEMBLY. SHIPPED LOOSE.

SWITCHES

VIEW D

DATE	SYM.	REVISION RECORD	AUTH.	DR.	CK.	NAME	CORVETTE INSTRUCTION MANUAL	R. P. O.	SHEET
7-25-57	12	PART NO. 3736268 REMOVED	2528		F				
4-22-57	11	PART NO'S. & NOTE ADDED	7938	V	F	REF. 9705 7997	DRAWN	CHECKED	
	10	3716289 ADDED			F	1306	V	F	
	9	NO. 3736221-REMOVED							
10-22-56	8	REDRAWN	5026			DATE 6-4-56	PART No. 3726900		473 4.00



FOLDING TOP WIRING DIAGRAM

					NAME CORVETTE INSTRUCTION MANUAL				
9-25-56	2	SWITCHES WERE PART OF ASSY.	3722	WF	REF. 9705	DRAWN V	CHECKED F	R. P. O.	SHEET
7-31-56	1	REDRAWN & REV. FOR 57	1541	V F	DATE 6-4-56	PART No. 3726900		473	5.00
DATE	SYM.	REVISION RECORD	AUTH.	DR.	CK.				